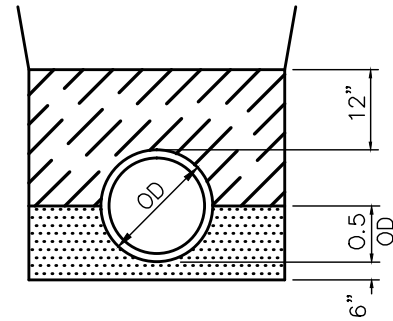


STABLE FOUNDATION

BACKFILL IN THE PIPE ZONE TO BE SAND OR GRANULAR MATERIAL COMPACTED TO 95% OF MAX. DENSITY AS MEASURED BY AASHTO T-99.



WET OR UNSTABLE FOUNDATION

TRENCH NOTES

1. ALL WORK MUST BE INSPECTED PRIOR TO BACKFILL.
2. NO ROCK LARGER THAN 1.5 INCHES IN DIAMETER FOR DUCTILE IRON PIPE OR 3/4 INCHES IN DIAMETER FOR PVC AND HDPE PIPE SHALL BE ALLOWED (1) WITHIN 6 INCHES OF THE PIPE. (2) AS BACKFILL MATERIAL FOR BEDDING, OR (3) AS BACKFILL MATERIAL IN THE PIPE ZONE.

PIPE BEDDING MATERIAL

SAND

FINE SAND (NON-PLASTIC) AND CLAYEY (CLAY FILLED) GRAVELS, INCLUDING FINE SANDS, SAND-CLAY MIXTURES, AND GRAVEL-CLAY MIXTURES. THIS MATERIAL IS NOT ALLOWED FOR BEDDING IN WET TRENCHES.

SIEVE	% PASSING
3/4"	100
NO. 4	80-100
NO. 10	30-50
NO. 40	10-30
NO. 200	7-15

GRANULAR

SAND AND GRAVEL WELL GRADED AND READILY COMPACTED, NON-PLASTIC, CLASSIFICATION A-1, ASTM 3282.

SIEVE	% PASSING
3/4"	100
NO. 4	60-100
NO. 40	15-60
NO. 200	0-15


BEDDING MATERIAL GRADATION FOR WET OR UNSTABLE FOUNDATION

FOR DUCTILE IRON:

SIEVE	% PASSING
1-1/2"	100%
NO. 4	5%

FOR PVC AND HDPE:

SIEVE	% PASSING
3/4"	100%
NO. 4	5%

REV. NO.	PREPARED BY:	SUMMIT WATER DISTRIBUTION CO.	STANDARD DWG. NO.
1. 10/4/95 2. 11/6/00 3. 4/3/13 4. 5/18/15 5. 12/31/15	 Bowen Collins & Associates, Inc. CONSULTING ENGINEERS	<h1>PIPE BEDDING DETAILS</h1>	<h1>2A</h1>