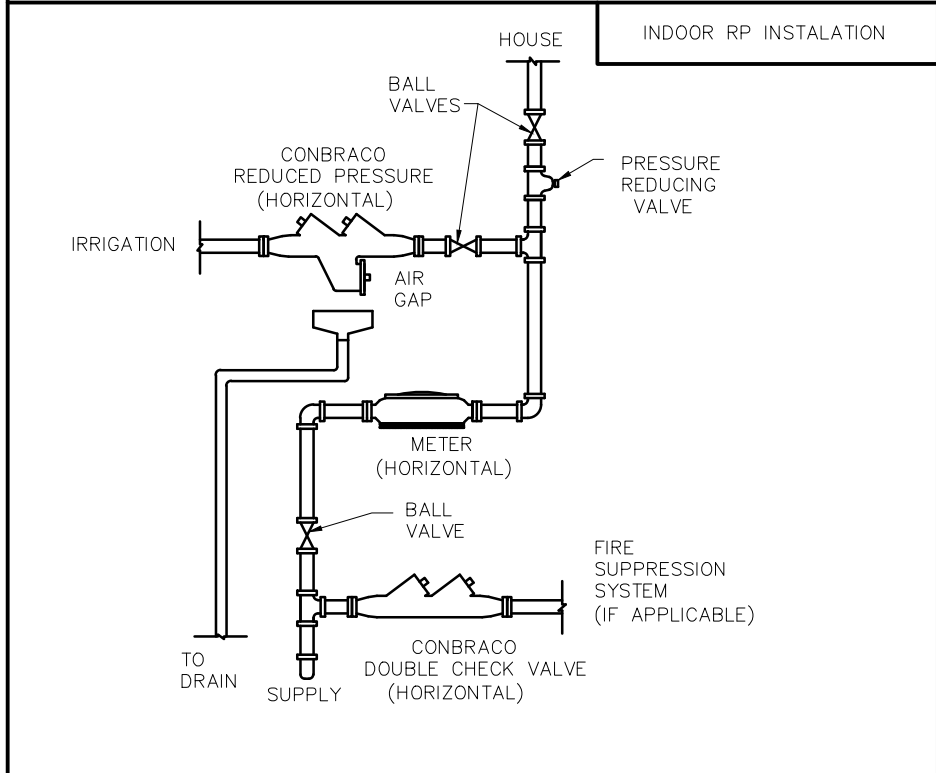
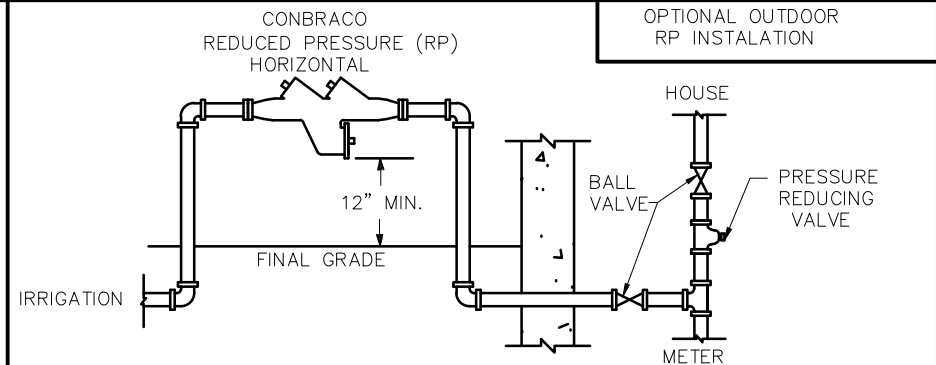
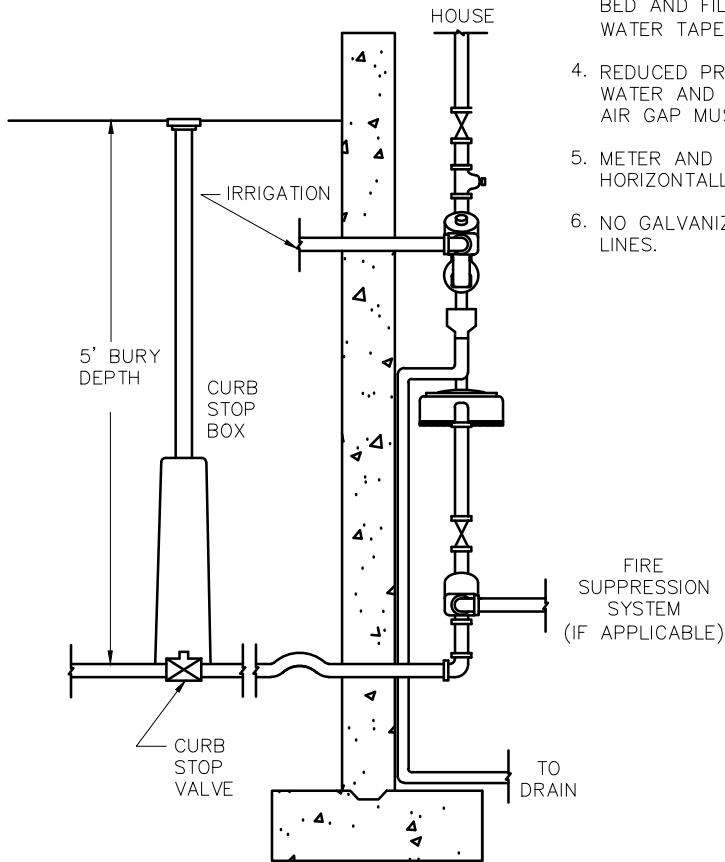


NOTE:

1. CURBSTOP BOX, METER AND BRP BACKFLOW DEVICE ARE PROVIDED BY SWDC INSTALLED BY HOMEBUILDER
2. A 12 AWG TRACER WIRE SHALL BE CONNECTED TO CURB STOP VALVE & RAN ALONG SIDE THE SERVICE LATERAL TO THE METER.
3. LATERAL SHALL BE BLUE POLY (200 PSI) BED AND FILL SHALL BE FINES WITH WATER TAPE 3' ABOVE THE PIPE.
4. REDUCED PRESSURE BFP MAY DISCHARGE WATER AND MUST BE PLUMBED TO DRAIN. AIR GAP MUST BE MAINTAINED.
5. METER AND BFP SHALL BE INSTALLED HORIZONTALLY.
6. NO GALVANIZED PIPE ALLOWED ON ANY LINES.



REV.	DATE	BY	DESCRIPTION
9	12/31/15	TSC	UPDATE PER SWDC
8	11/21/07	TSC	REVISE PER SWDC

Bowen Collins & Associates, Inc.
CONSULTING ENGINEERS

SUMMIT WATER DISTRIBUTION CO.

3/4" TO 2" SERVICE CONNECTION

STD. DWG. NO.

7A