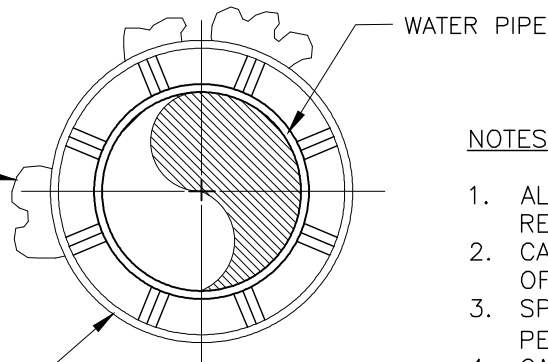


PLAN

MINIMUM WALL THICKNESS OF STEEL CASINGS	
DIAMETER	WALL THICKNESS
UP TO 12"	0.250"
15" TO 27"	0.375"
30" TO 54"	0.500"
60" TO 72"	0.625"

ANY VOIDS CREATED BY BORING, JACKING, OR TUNNELING SHALL BE FILLED BY PRESSURE GROUTING

CASING SPACERS MANUFACTURED BY PIPELINE SEAL AND INSULATOR, INC. MODEL C12G-2 SPACED EVERY 5-FT TO CENTER THE PIPE INSIDE THE CASING. PIPE THROUGHOUT THE LENGTH OF THE CASING SHALL BE AT A CONTINUOUS DEPTH AS SHOWN.



SECTION

NOTES

1. ALL JOINTS OF CARRIER PIPE WITHIN CASING SHALL BE RESTRAINED.
2. CARRIER PIPE SHALL BE TESTED BEFORE SEALING THE ENDS OF THE CASING.
3. SPACERS SHALL BE SECURELY ATTACHED TO CARRIER PIPE PER MANUFACTURER'S REQUIREMENTS.
4. CASING PIPE SHALL BE WELDED STEEL, ASTM A53, GRADE B.
5. CASING SHALL BE CENTERED ON EXISTING UTILITY.
6. THE INSIDE DIAMETER OF THE CASING PIPE SHALL BE GREATER THAN OR EQUAL TO THE LARGEST OUTSIDE DIAMETER OF THE CARRIER PIPE PLUS 6-INCHES.
7. DUCTILE IRON CARRIER PIPE SHALL BE POLYWRAPPED.

REV.	DATE	BY	DESCRIPTION
1	12/31/15	TCS	UPDATE PER SWDC



**SUMMIT WATER
DISTRIBUTION COMPANY**

**WATERLINE
CASING DETAIL**

STD. DWG. NO.

14