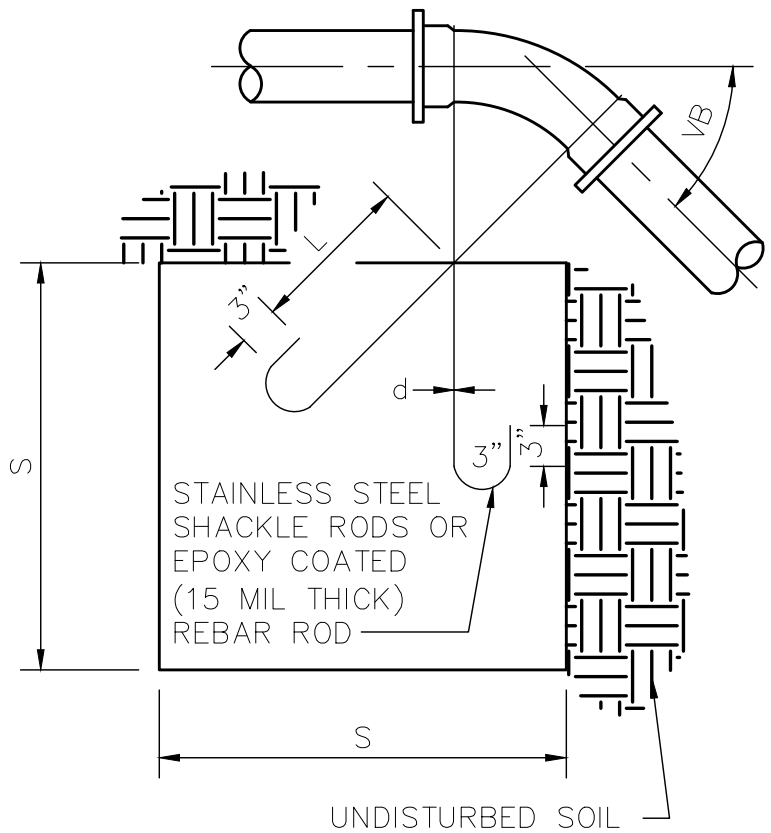



TYPICAL BLOCKING
FOR VERTICAL BENDS

	VB		S	d	L			
PIPE SIZE DIA. INCH	VERTICAL BEND DEGREES	NO. OF CU. FT. OF CONC. BLOCKING	SIDE OF CUBE FEET	DIAMETER OF RODS INCH	DEPTH OF RODS IN CONCRETE FT.			
4"	11 1/4	8	2.0	5/8	1.5			
	22 1/2	15.6	2.5					
	45°	27	3.0					
6"	11 1/4	15.6	2.5		3/4	2.0		
	22 1/2	34.3	3.25					
	45°	64	4.0					
8"	11 1/4	27	3.0			7/8	3.0	
	22 1/2	64	4.0					
	45°	107.2	4.75					
10"	11 1/4	39	3.4				4.0	4.0
	22 1/2	93	4.5					
	45°	173	5.6					
12"	11 1/4	64	4.0	4.0				4.0
	22 1/2	125	5.0					
	45°	244	6.25					
14"	11 1/4	82	4.5		4.0			4.0
	22 1/2	166	5.5					
	45°	345	7.0					
16"	11 1/4	107	4.25			4.0		4.0
	22 1/2	216	6.0					
	45°	465	7.75					



NOTES:

1. ALL WORK MUST BE INSPECTED PRIOR TO BACKFILL.
2. ALL CONCRETE THRUST BLOCKS MUST BE ALLOWED TO CURE FOR 5 DAYS BEFORE PRESSURIZING WATERLINES.
3. BEARING AREAS, VOLUMES, AND SPECIAL BLOCKING DETAILS SHOWN ON PLANS TAKE PRECEDENCE OVER THIS STANDARD.
4. APPLY TWO FIELD COATS OF NO-OXIDE WAX TO ALL EXPOSED SURFACES OF UNDERGROUND NUTS AND BOLTS AFTER ASSEMBLY OF PIPES, FITTINGS COUPLINGS AND ETC.
5. WRAP ALL BURIED FITTINGS WITH 8-MIL THICK POLYETHYLENE FILM ENCHASMENT TUBE AFTER ALL COATINGS ARE APPLIED AND BEFORE THRUST BLOCKS ARE POURED.
6. CLASS 4000 MIN CONCRETE. RESTRAINT SIZING BASED ON 200 PSI TEST PRESSURE, AND MINIMUM SOIL BEARING STRESS OF 2000 PSI.

REV. NO.	PREPARED BY:	SUMMIT WATER DISTRIBUTION CO.	STANDARD DWG. NO.
1. 12/31/15	 Bowen Collins & Associates, Inc. CONSULTING ENGINEERS	THRUST ANCHOR DETAIL	9