

**NOTES:**

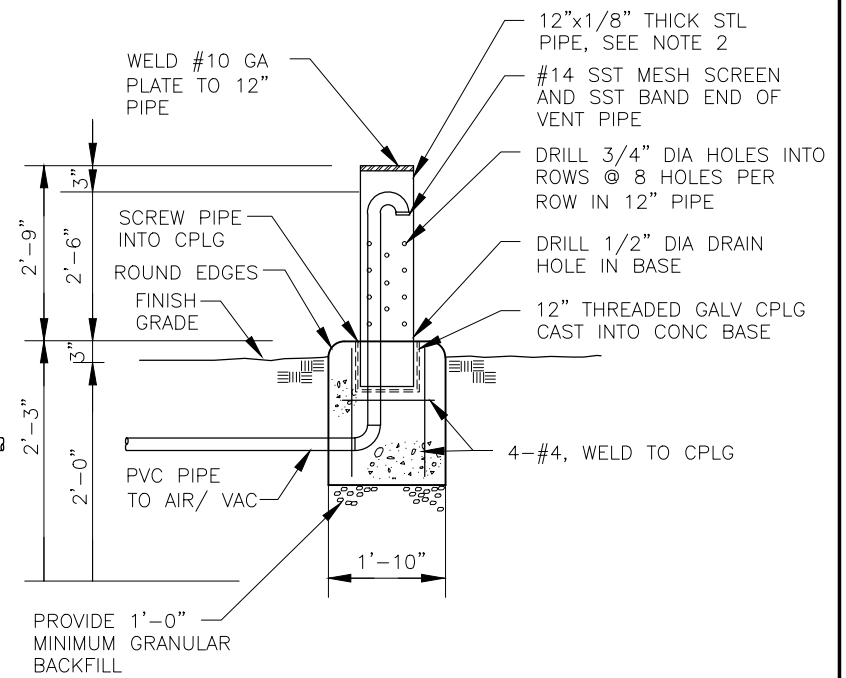
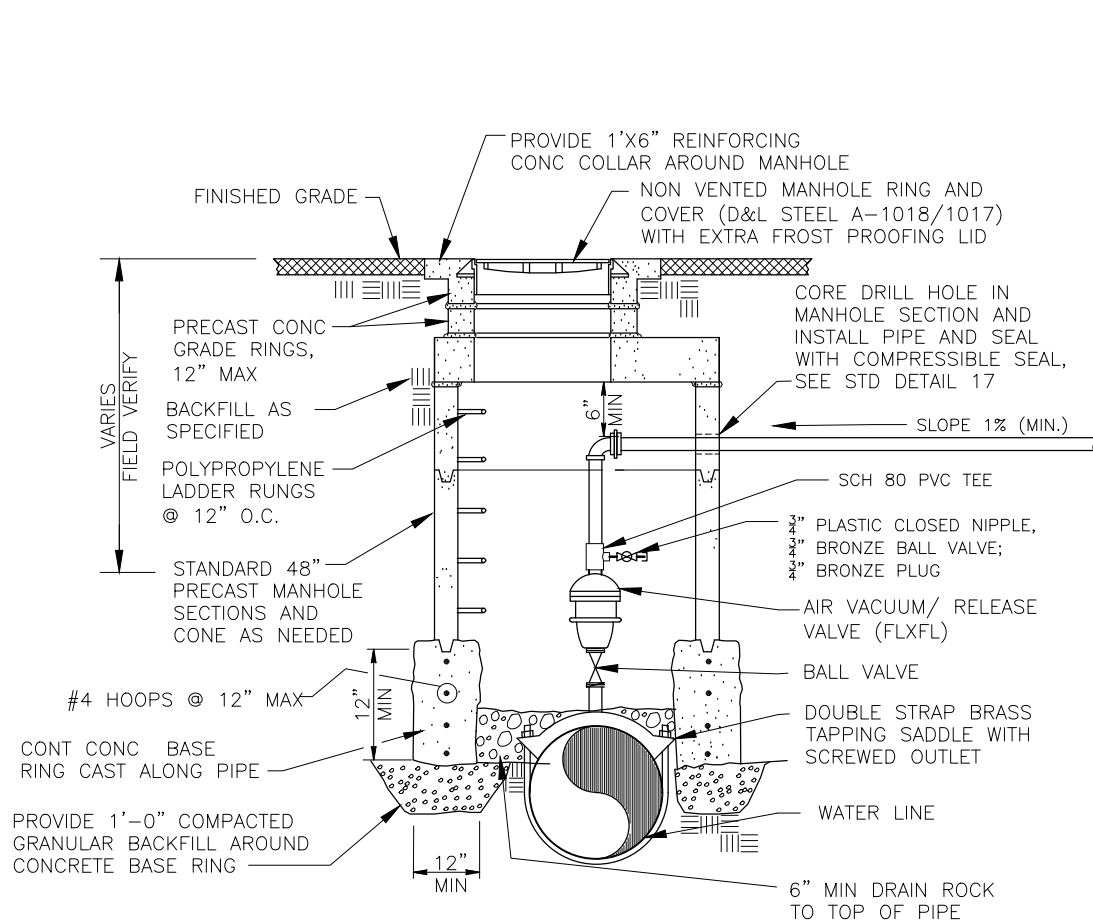
1. PROVIDE AND INSTALL COMBINATION AIR/ VAC AND AIR RELEASE VALVE AT THE SIZE APPROPRIATE FOR INSTALLATION LOCATION.
2. TAPE WRAP PIPE AND VALVE AS SPECIFIED.
3. COORDINATE WITH SWDC FOR COATING AFTER FABRICATION.

|  |   |
|--|---|
| <b>REVISION NO.</b><br>1. 8/20/97<br>2. 9/20/98<br>3. 12/31/15 |  <b>Bowen Collins &amp; Associates, Inc.</b><br>CONSULTING ENGINEERS |
|--|---|

**SUMMIT WATER DISTRIBUTION COMPANY**

**AIR AND VACUUM VALVE DETAIL**

|   |
|---|
| <b>STD. DWG. NO.</b><br><div style="font-size: 2em; text-align: center;">11</div> |
|---|



- NOTES:**
1. PROVIDE AND INSTALL COMBINATION AIR/ VAC AND AIR RELEASE VALVE AT THE SIZE APPROPRIATE FOR INSTALLATION LOCATION.
  2. COORDINATE WITH SWDC FOR COATING AFTER FABRICATION.

|      |       |    |               |
|------|-------|----|---------------|
| 1    | 8/97  |    |               |
| 2    | 9/98  |    |               |
| 3    | 12/15 |    |               |
| 4    | 8/18  | JO | UPDATED TITLE |
| REV. | DATE  | BY | DESCRIPTION   |



**SUMMIT WATER DISTRIBUTION COMPANY**

**2" AND SMALLER AIR AND VACUUM VALVE DETAIL**

STD. DWG. NO.  
**11**

